

Galaxy Fixation

Gemini™ System



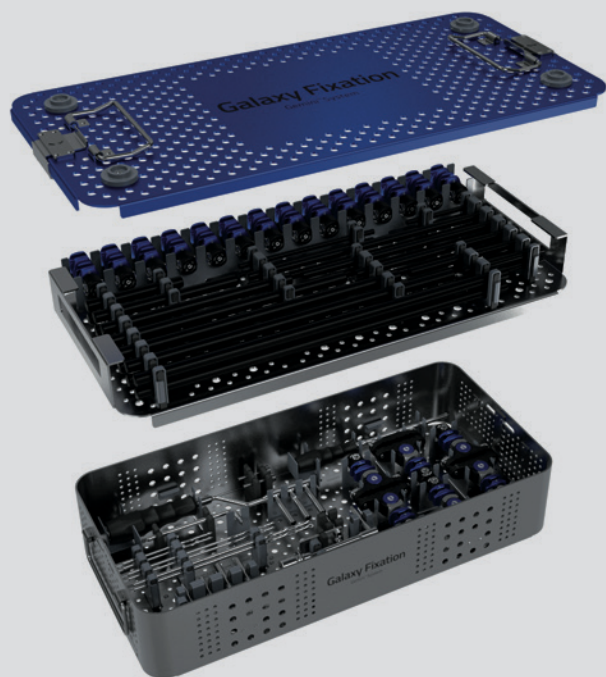
Every Hospital Needs
a Pin to Bar Fixator
Why Not Two-in-One?

 **ORTHOFIX**[®]
ORTHOPEDICS

Choose the configuration you like the most

Easy stock management

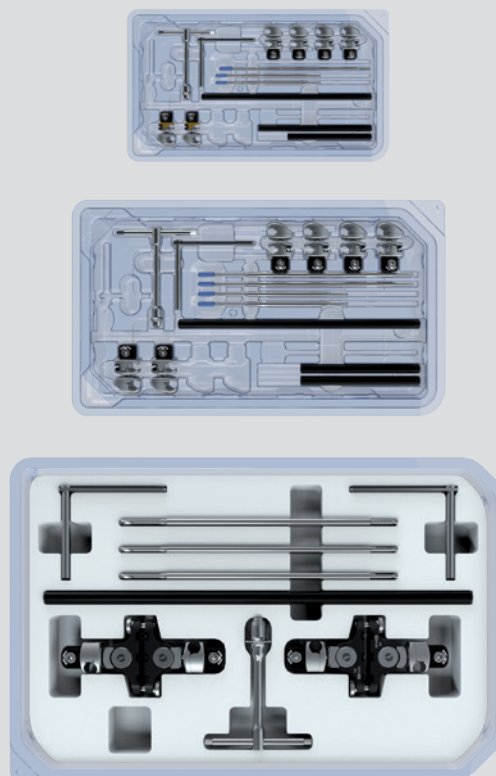
All in one tray - implants and instrumentation



Universal Clamps have **markers for easy identification** of rod and pin diameter for each clamp slot. Universal clamps can perform 10 different types of coupling.

Ideal for DCO

In ready to use sterile kits



Universal Clamps

94100



Hand-tightening pre-closure mechanism allows manipulation of the frame without requiring an instrument

94300



Intuitive design with visible check for definitive locking from any side regardless of clamp position.

94200



Internal teeth and locking profiles designed to provide **high torsional strength** and avoid components sliding.

Standard Clamps

99-94010



99-94030



99-94020



99-94040



99-94140



Manufactured by:
ORTHOFIX Srl
Via Delle Nazioni 9, 37012 Bussolengo (Verona), Italy
Telephone +39 045 6719000, Fax +39 045 6719380

Rx Only



orthofix.com

GF-2103-PL-EO B 11/21

Distributed by:

Medeco-ch

MEDECO-CH SÀRL
Route de Trélex 8
1266 Duillier
Suisse

Tél : +41 22 307 01 70
Fax : +41 22 362 11 85
info@medeco-ch.com
www.medeco-ch.com

 **ORTHOFIX**[®]
ORTHOPEDICS