

Best fits **YOUR** needs

Difficult deformity corrections require careful planning and use of the right instruments.

The Limb Reconstruction System (LRS) offers the best solution for your deformity problems:

- Quick application
- Highly stable
- Can be dynamized

LRS IMMEDIATE AND GRADUAL CORRECTION CLAMPS

MICROMETRIC SWIVELLING CLAMP

- For immediate or gradual correction in the plane of the bone screws.
- Interchangeable with a standard LRS Straight Clamp.



OF-GARCHES T-CLAMP

- For gradual correction of a metaphyseal deformity.
- Paediatric version also available.



MULTIPLANAR CLAMP

Attaches to either end of the rail for:

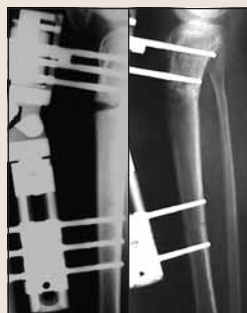
- Gradual angular and translational correction of diaphyseal deformities.
- Correction in any desired plane.



VARUS FEMUR WITH SHORTENING AND PROCURVATUM; TIBIAL PROCURVATUM



(a)



(b)



(c)



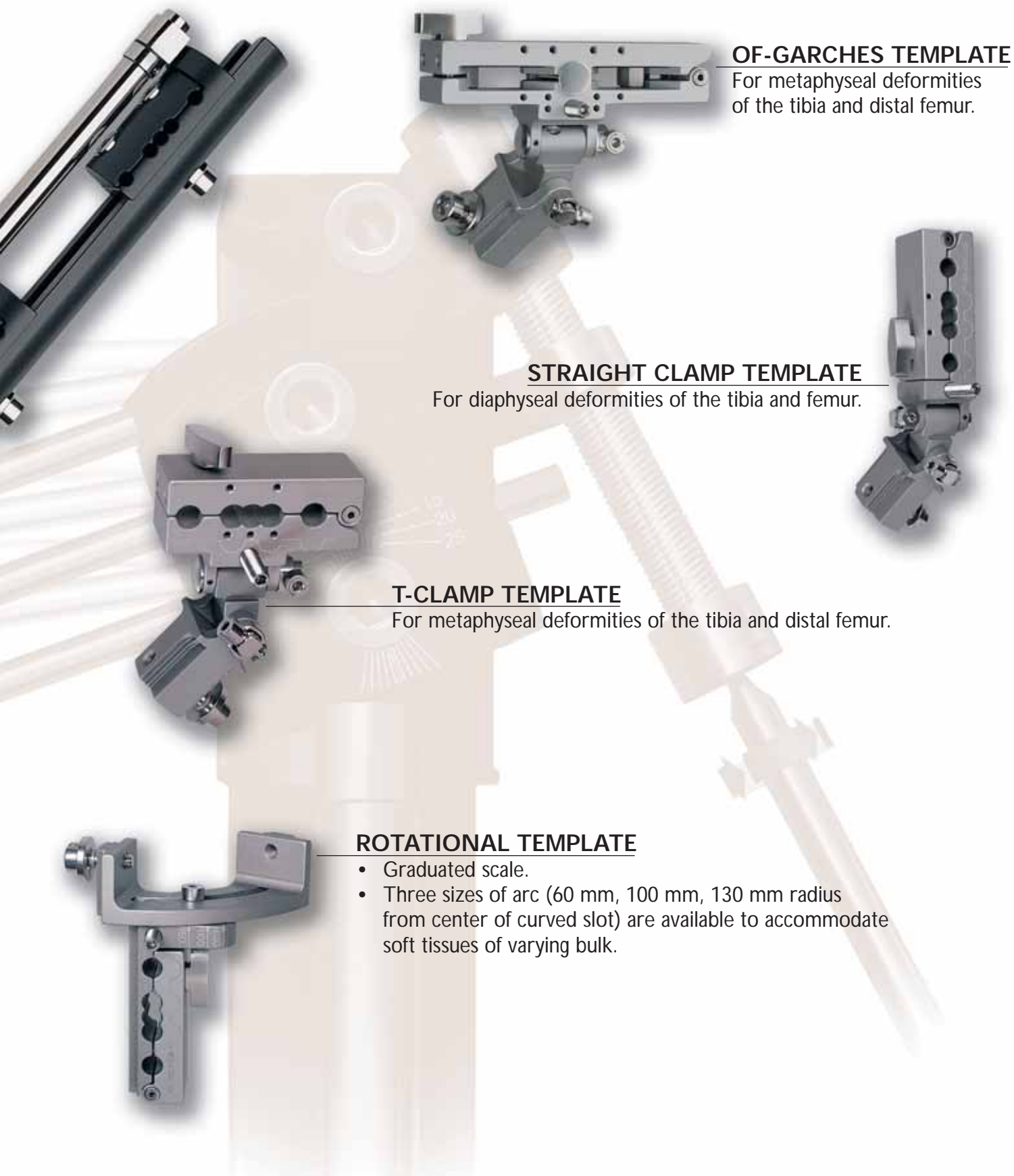
(d)

- Femur with shortening and varism, tibial procurvatum.
- Correction performed with Orthofix Limb Reconstruction System.
- Clinical pictures with application of LRS on tibia and femur
- The deformities were corrected

This case was provided by Dr. S. Agostini, Orthopaedic Surgeon at Bussolengo Hospital, Verona, Italy.

ed all your needs
ightforward solution.

ACUTE CORRECTION TEMPLATES



OF-GARCHES TEMPLATE

For metaphyseal deformities of the tibia and distal femur.

STRAIGHT CLAMP TEMPLATE

For diaphyseal deformities of the tibia and femur.

T-CLAMP TEMPLATE

For metaphyseal deformities of the tibia and distal femur.

ROTATIONAL TEMPLATE

- Graduated scale.
- Three sizes of arc (60 mm, 100 mm, 130 mm radius from center of curved slot) are available to accommodate soft tissues of varying bulk.

12258 Adult LRS Sterilization Box

Can accommodate:

Part No.	Component Description
1x10052	Torbay-Garches Clamp
1x50111	LRS Micrometric Swivelling Clamp
1x50520	LRS T-Clamp
2x50536	LRS Dyna-Ring with Compression-Distracton Unit Attachment
1x50541	LRS Ball-Joint Coupling
1x50580	LRS Multiplanar Clamp
1x50690	LRS Hinged Rail Coupling
1x90006	ProCallus Straight Clamp
1x90007	ProCallus T-Clamp
2x10008	Compression-Distracton Unit Standard, extends to 4 cm
2x10009	Compression-Distracton Unit Long, extends to 8 cm
1x10030	Compression-Distracton Unit Short, extends to 2,75 cm
1x14147	LRS Sandwich Clamp Template
1x50547	LRS Sandwich Clamp with Compression-Distracton Unit Attachments
1x14131	LRS Rotational Template, radius 60 mm
1x14132	LRS Acute Correction OF-Garches Template
1x14133	LRS Acute Correction Straight Clamp Template
1x14134	LRS Acute Correction T-Clamp Template
1x14137	LRS Rotational Template Arc, radius 100 mm
1x14138	LRS Rotational Template Arc, radius 130 mm
4x50540	LRS Straight Central Clamp
2x50530	LRS Straight Outer Clamp
1x50544	LRS Extra-Short Rail, length 120 mm
1x50545	LRS Short Rail, length 23 cm
1x50550	LRS Standard Rail, length 30 cm
1x50560	LRS Long Rail, length 40 cm
2x10004	Cam
2x90005	Bush
8x14107	LRS Straight Clamp Template
1x14108	LRS T-Clamp Template
1x14109	LRS Multiplanar Clamp Template
1x14130	LRS Ball-Joint Coupling Template
1x14116	LRS Micrometric Swivelling Clamp Template
1x14142	Clamp Coupling Template
1x12258	Adult LRS Sterilization Box, empty

12259 Paediatric LRS Sterilization Box

Can accommodate:

Part No.	Component Description
1x14131	LRS Rotational Template, radius 60 mm
1x14132	LRS Acute Correction OF-Garches Template
1x14137	LRS Rotational Template Arc, radius 100 mm
1x14138	LRS Rotational Template Arc, radius 130 mm
1x14134	LRS Acute Correction T-Clamp Template
1x31006	Small Blue D.A.F. Straight Clamp
1x31007	Small Blue D.A.F. T-Clamp
1x55030	Paediatric LRS T-Clamp
1x55031	Paediatric LRS OF-Garches T-Clamp Kit
1x55041	Paediatric LRS Ball-Joint Coupling
6x55050	Paediatric LRS Straight Clamp
1x55055	Extra Short Rail
1x55100	Paediatric LRS Swivelling Clamp
1x55690	Paediatric LRS Hinged Rail Coupling
2x55036	Paediatric LRS Dyna-Ring w/Compression-Distracton Unit Attachment
1x30008	Compression-Distracton Unit for Small Fixator, extends to 5 cm
1x55008	Paediatric LRS Compression-Distracton Unit, extends to 6,2 cm
1x13107	Small D.A.F. Straight/T-Clamp Template
1x15520	Paediatric LRS Swivelling Clamp Template
1x15530	Paediatric LRS Ball-Joint Coupling Template
2x30004	Cam
2x31005	Small Blue D.A.F. Bush
1x55060	Paediatric LRS Short Rail, length 15 cm
1x55070	Paediatric LRS Standard Rail, length 20 cm
1x55080	Paediatric LRS Long Rail, length 25 cm
1x14133	Paediatric LRS Acute Correction Straight Clamp Template
7x15500	Paediatric LRS Straight Clamp Template
1x12259	Paediatric LRS Sterilization Box, empty

12257 LRS Instrument Sterilization Box*

Can accommodate:

Part No.	Component Description
2x10012	Allen Wrench 3 mm
2x10017	Allen Wrench 6 mm
1x10025	Torque Wrench 6 mm
2x11000	T-Wrench
1x11004	Tapered Trocar
1x30025	Torque Wrench 5 mm (31000 Series)
2x1101101	Cannulated Drill Bit Ø 3.2 mm, length 200 mm
2x1101201	Cannulated Drill Bit Ø 4.8 mm, length 280 mm
2x11144	Ruland Pilot Wire Guide Ø 2 mm, length 75 mm
2x11145	Ruland Pilot Wire Guide Ø 2 mm, length 115 mm
2x30017	Allen Wrench 5 mm
2x36017	Allen Wrench 4 mm
1x11111	Hammer
2x11104	Drill Guide, Ø 4.8 mm, length 40 mm
2x11105	Drill Guide, Ø 4.8 mm, length 80 mm
2x11106	Drill Guide, Ø 3.2 mm, length 40 mm
2x11116	Drill Guide, Ø 3.2 mm, length 80 mm
2x11125	Drill Guide, Ø 4.8 mm, length 140 mm
5x80122	X-Wire without olive Ø 2 mm, length 400 mm
2x1100201	Drill Bit, Ø 4.8 mm, length 240 mm
2x1100301	Drill Bit, Ø 3.2 mm, length 200 mm
2x1100701	Drill Bit, Ø 4.8 mm, length 280 mm
1x10200	Sterilizable Screw Covers (pack of 20)
2x11005	Drill Bit Stop Unit, Ø 4.8 mm
2x11006	Drill Bit Stop Unit, Ø 3.2 mm
10x11102	Screw Guide, length 60 mm
10x11103	Screw Guide, length 100 mm
10x11124	Screw Guide, length 160 mm
1x12257	LRS Instrument Sterilization Box, empty

* For adult and paediatric applications.

The **LRS**,
the solution to your problem.



Your Distributor is:

Manufactured by: ORTHOFIX Srl.
Via Delle Nazioni 9 - 37012
Bussolengo (Verona) - Italy
Telephone 0039-0456719000
Fax 0039-0456719380

www.orthofix.com

